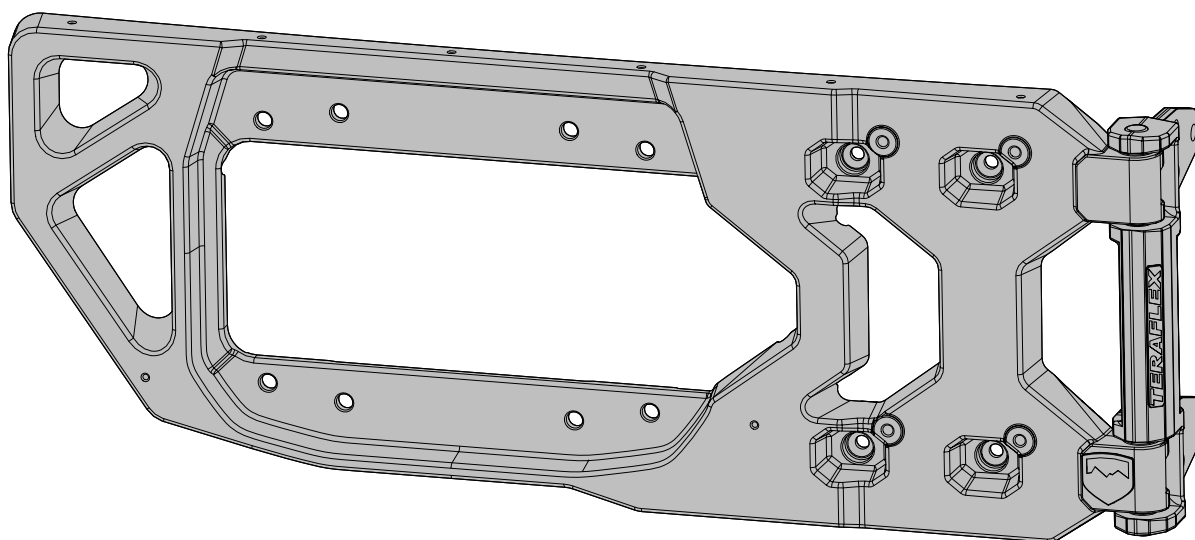




JL HD Aluminum Hinged Tire Carrier Kit

www.TERAFLEX.com

4838900



Important Notes:

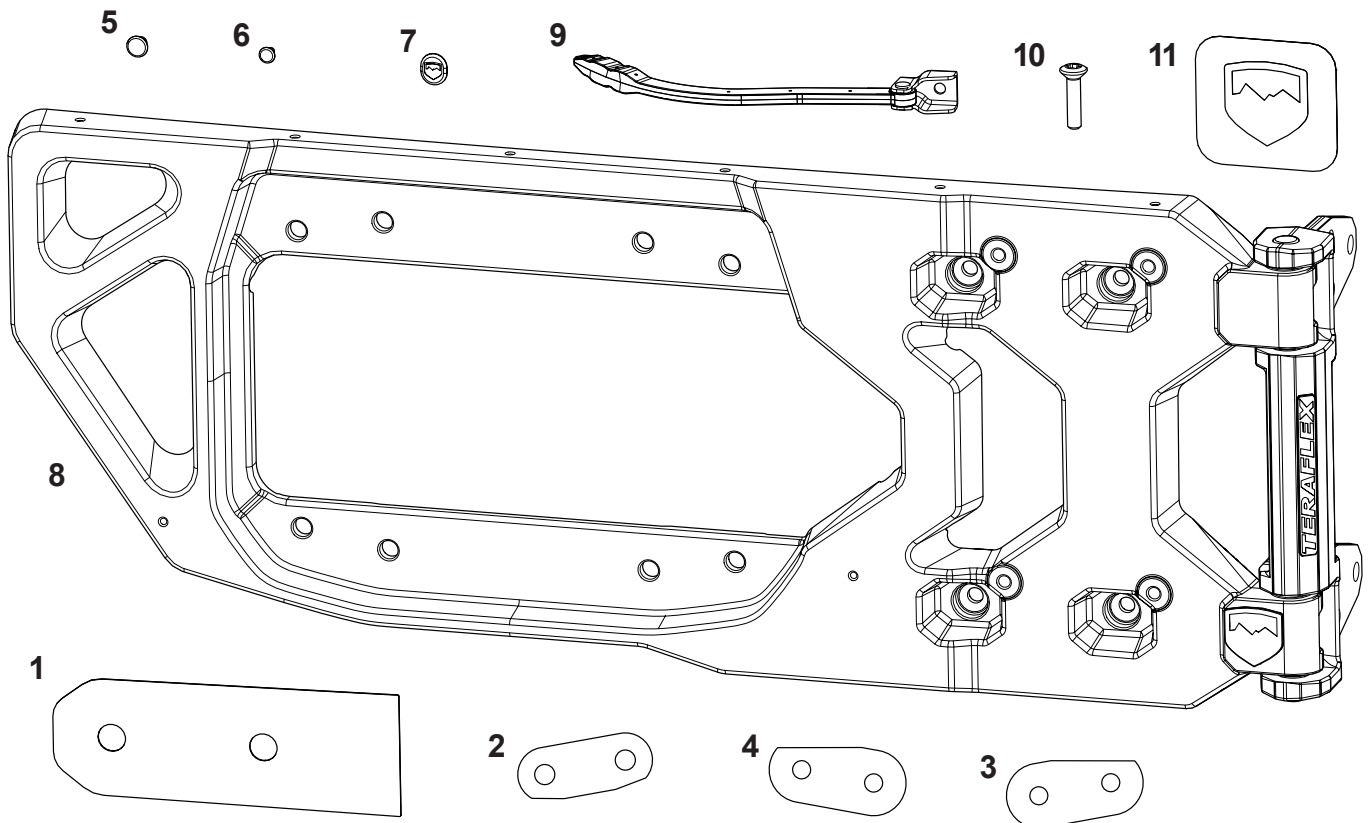
Prior to beginning this install, or any installation, read the instructions thoroughly to familiarize yourself with the required steps. Evaluate if you are experienced and capable to personally perform these modifications. A factory service manual should be used in conjunction with these installation instructions.

Refer to the parts list to ensure that all necessary components and hardware has been included. If any parts are missing please contact your local TeraFlex dealer for assistance.

When reinstalling OEM hardware, refer to the torque specs given in the Factory Service Manual.

Tools Needed:

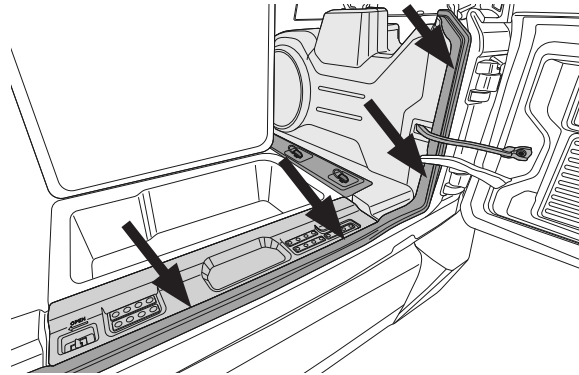
- Wide Painters Tape (2" or 3" wide)
- Sharpie (Black Marker)
- Non-Marry Pry Tool
- Razor Blade / Box Cutter
- T40 and T55 TORX
- Metric Sockets and Open End Wrenches
- Torque Wrench
- General Mechanics Tools
- Factory Service Manual



4838900 - JL HD Aluminum Hinged Tire Carrier Kit			
Item #	Part No.	Description	QTY
1	23-09-001-001	Gasket, TGR, 7.03 x 2.5 / Rubber / Adhesive Backing / Hinge	2
2	23-09-001-002	Gasket, TGR, 4.4x1.75 / Rubber / Adhesive Backing / Top	2
3	23-09-001-003	Gasket, TGR, 5.0x2.35 / Rubber / Adhesive Backing / Passenger Side	1
4	23-09-001-004	Gasket, TGR, 5.0x2.35 / Rubber / Adhesive Backing / Driver Side	1
5	33-01-001-009	Tailgate, Reinforcement, Jeep JL Wrangler, Rubber Plug / M10	4
6	33-01-001-010	Tailgate, Reinforcement, Jeep JL Wrangler, Rubber Plug / M6	8
7	33-01-001-011	Tailgate, Reinforcement, Jeep JL Wrangler, Rubber Plug / Oval	2
8	33-01-001-100	Tailgate, Reinforcement, Jeep JL Wrangler, Assembly	1
9	33-01-001-101	Tailgate, Reinforcement, Jeep JL Wrangler, Detent Assembly	1
10	45-25-001-001	Hardware, Oval Head Torx Screw, Black Zinklاد 1000B, M10-1.5 x 45mm	4
11	95-01-005-001	Sticker, Teraflex, Tailgate Reinforcement, , 4.25"x3.9" / White Poly Carbonate	2

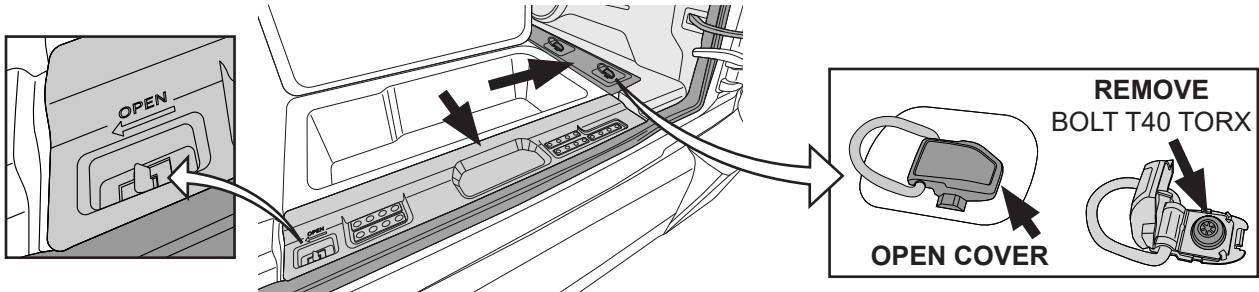
**OPEN TAILGATE AND BACK WINDOW
REMOVE REAR DOOR SEAL FROM PASSENGER SIDE AND FLOOR AREA**

1



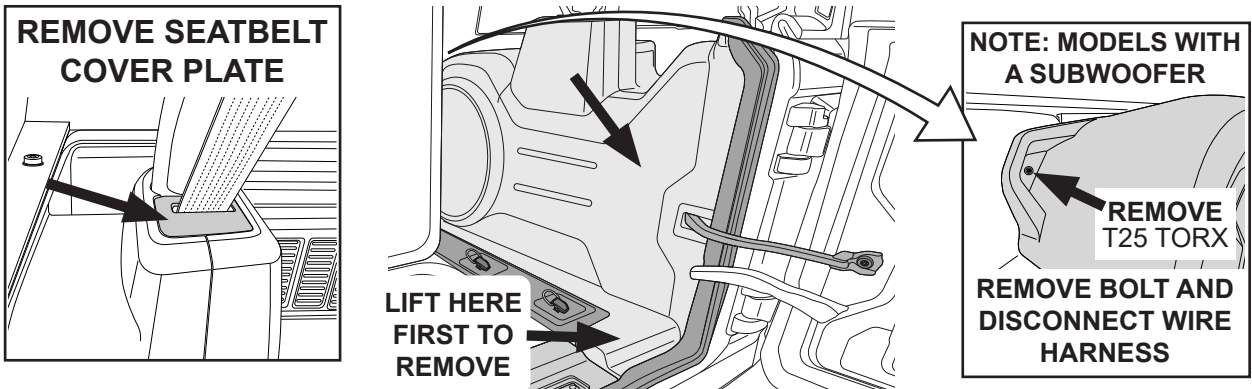
REMOVE PLASTIC AND CARPETED FLOOR PANELS

2



REMOVE REAR PASSENGER INTERIOR SIDE PANEL

3



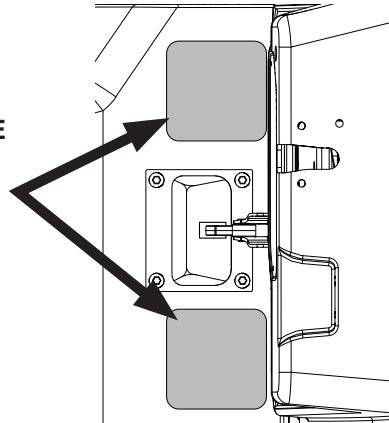
FULLY OPEN TAILGATE AND REMOVE OEM DETENT

4



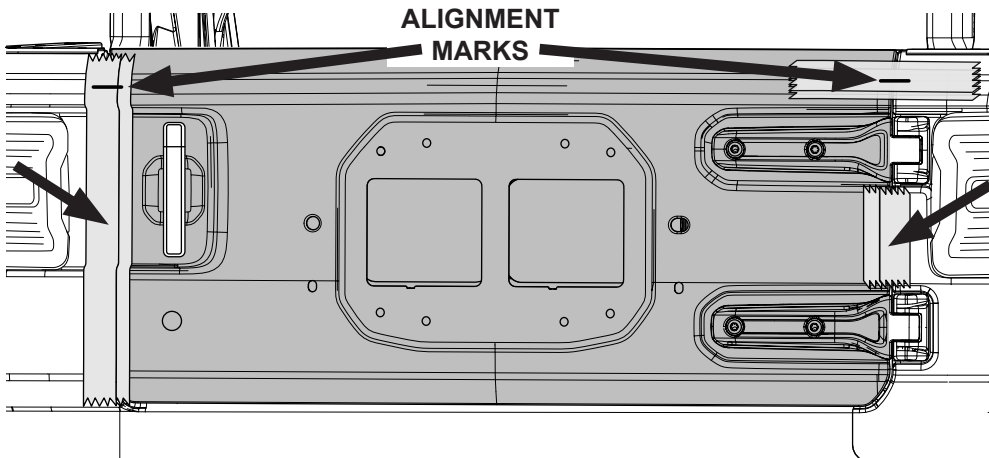
REMOVE PAINTED STICKERS AND MOVE DOOR SEAL OUT OF THE WAY

USE A RAZOR BLADE
OR BOX CUTTER TO
REMOVE STICKERS
(STICKERS WILL BE
REPLACED)



5

CLOSE DOOR (KEEP REAR WINDOW OPEN FOR ACCESS TO HINGE BOLTS) AND APPLY PAINTER'S TAPE AROUND TAILGATE

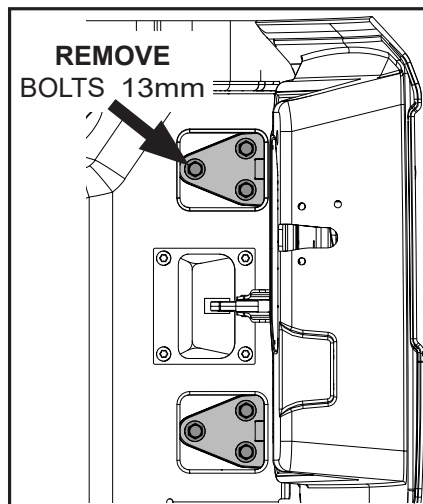
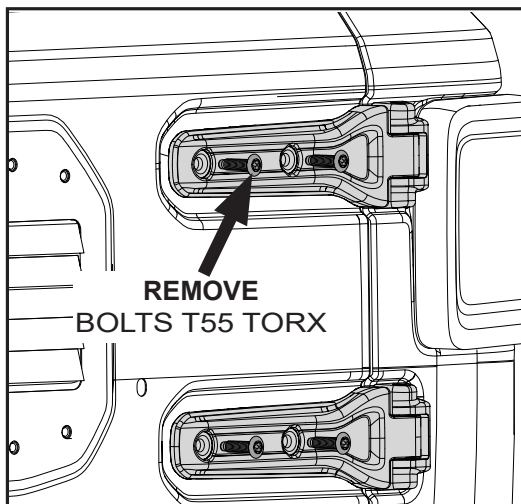


WITH DOOR
CLOSED APPLY
TAPE AROUND
TAILGATE

USE A STRAIGHT
EDGE TO
MAKE HELPER
ALIGNMENT
MARKS TO TAPE

6

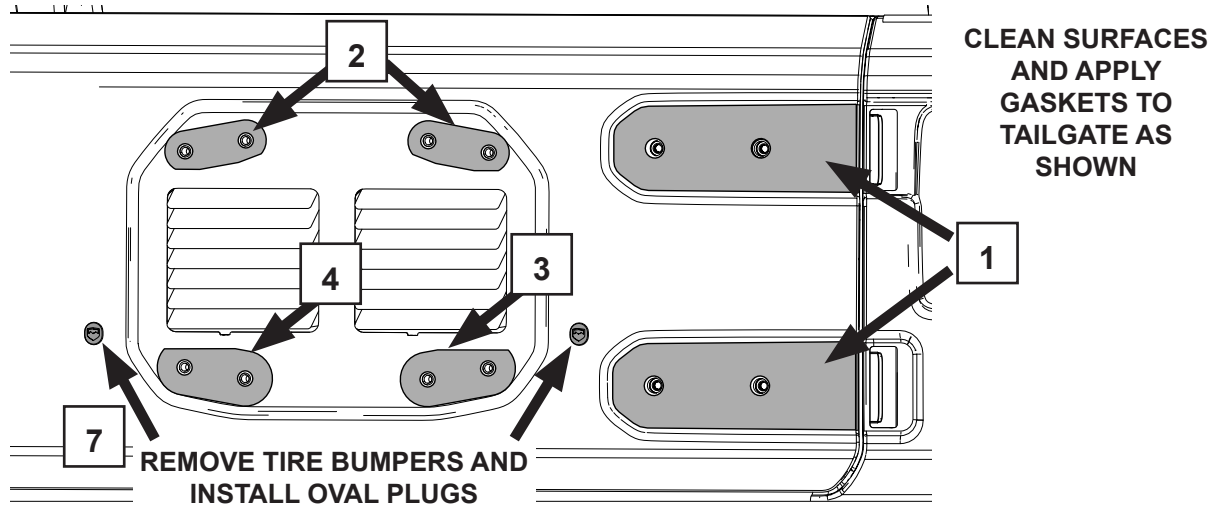
REMOVE TAILGATE HINGE



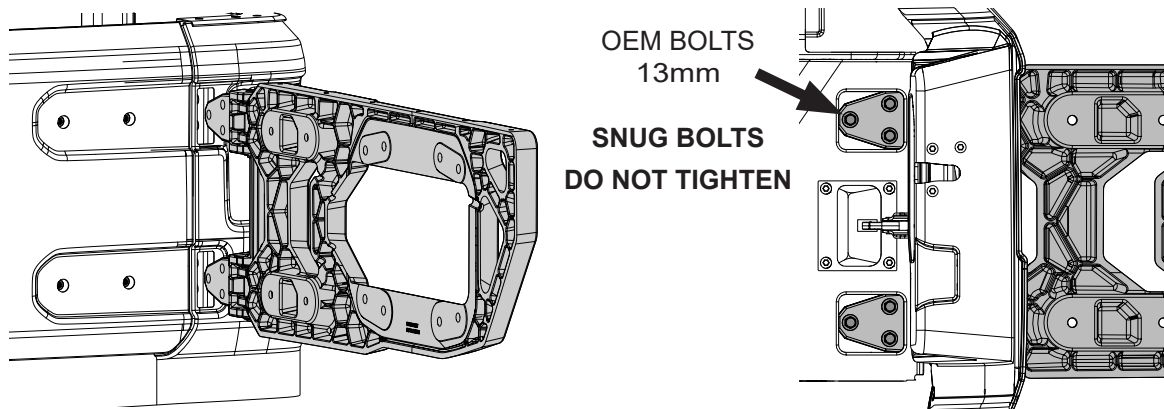
REMOVE UPPER
AND LOWER
TAILGATE HINGE

7

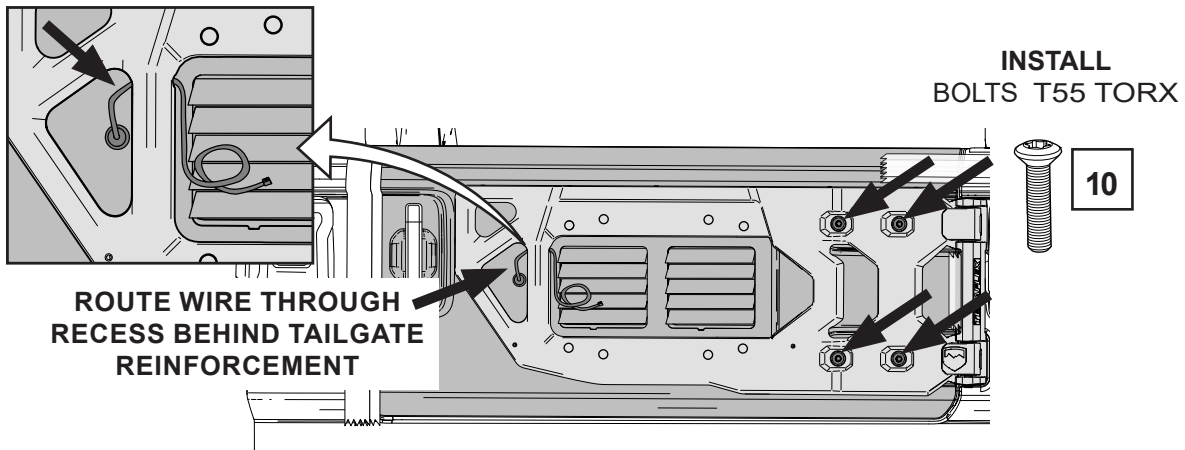
CLEAN TAILGATE AND INSTALL GASKETS AND OVAL RUBBER PLUGS



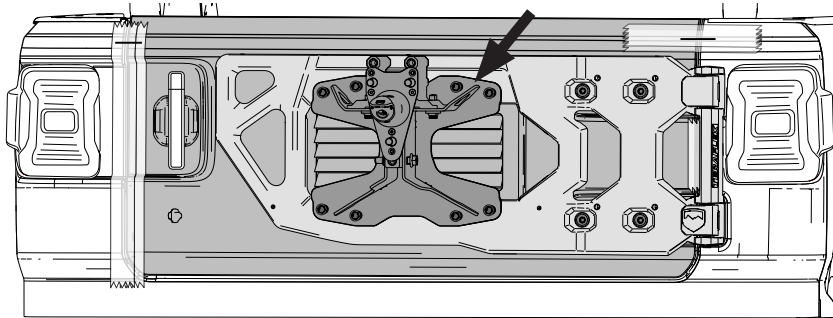
INSTALL TAILGATE REINFORCEMENT STARTING WITH INSIDE BOLTS FIRST



ROUTE WIRES BEHIND TAILGATE REINFORCEMENT AND INSTALL PROVIDED M10 BOLTS



**INSTALL ADJUSTABLE SPARE TIRE MOUNT
SEE INSTRUCTION # 999441 (JL ADJUSTABLE SPARE TIRE MOUNTING KIT)**



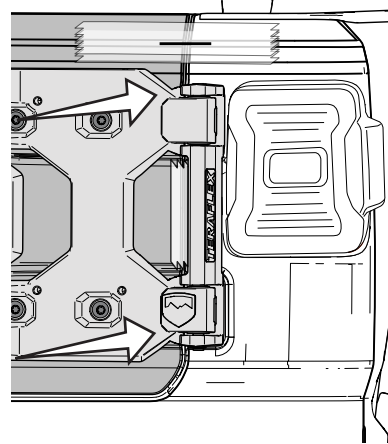
NOTE: IF YOU PREVIOUSLY HAD AN ADJUSTABLE SPARE TIRE MOUNT INSTALLED YOU MAY NEED TO ADJUST THE TIRE MOUNT DEPTH

11

ADJUST DOOR TO MATCH BODY LINES OF QUARTER PANEL

LOOSEN BOLTS AS NEEDED FOR ADJUSTMENT

NOTE: ON THE INSIDE USE A NON-MARRING PRY TOOL TO HELP MATCH THE BODY LINES

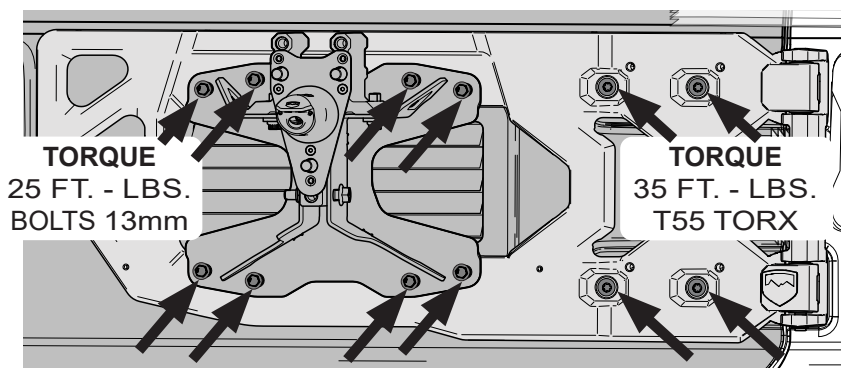


CAUTION: DO NOT USE PRY TOOLS ON THE OUTSIDE (ON THE BODY)

PUSH ON TAILGATE AS NEEDED TO MATCH BODY LINES

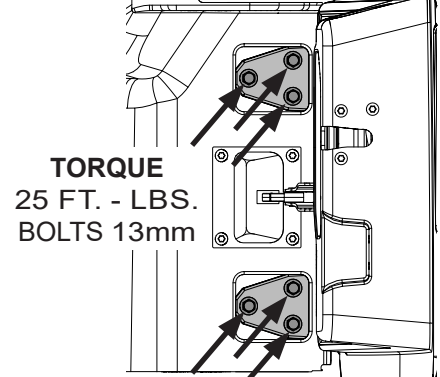
12

TORQUE TAILGATE REINFORCEMENT BOLTS



TORQUE 25 FT. - LBS. BOLTS 13mm

TORQUE 35 FT. - LBS. T55 TORX



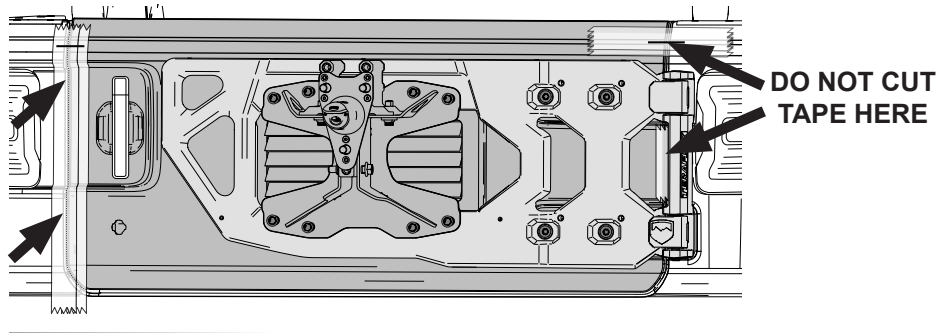
TORQUE 25 FT. - LBS. BOLTS 13mm

13

NOTE: IF INSTALLING AN OVERSIZED TIRE (35"+) MOVE ONTO STEP 14 NOW

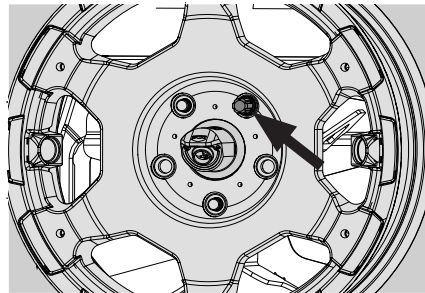
NOTE: IF NOT INSTALLING AN OVERSIZED TIRE SKIP TO STEP 20 NOW

OVERSIZED TIRE TAILGATE ALIGNMENT CAREFULLY CUT TAPE



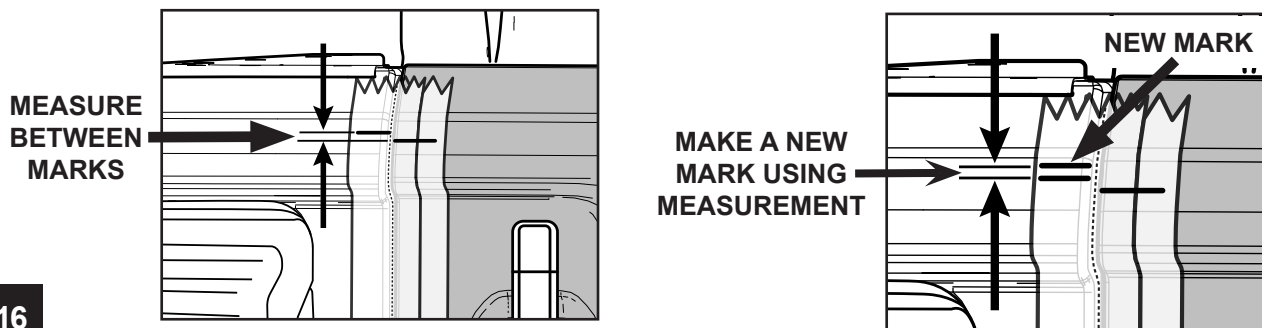
14

INSTALL TIRE WITH AT LEAST ONE LUG



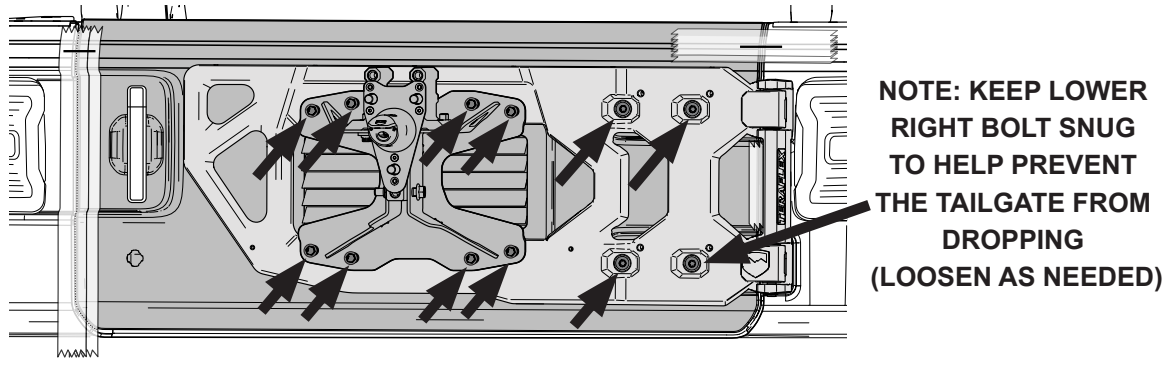
15

POP DOOR BUT DO NOT OPEN MEASURE DROP DUE TO TIRE WEIGHT AND MAKE A NEW MARK



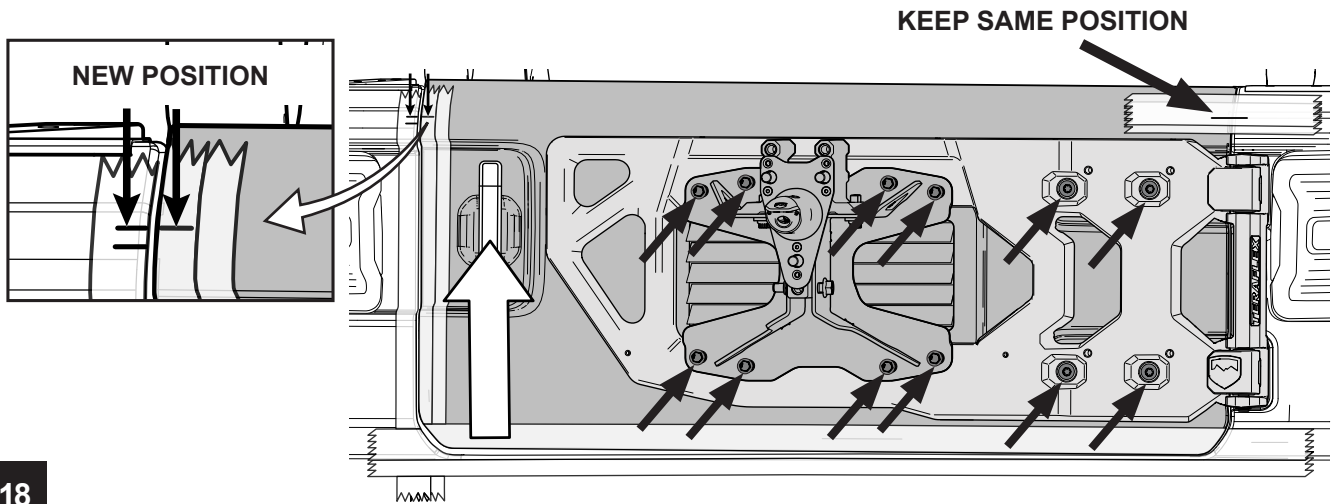
16

REMOVE TIRE AND LOOSEN OUTER TAILGATE REINFORCEMENT BOLTS



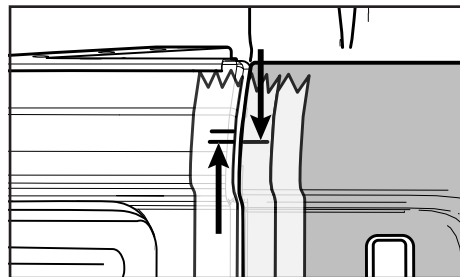
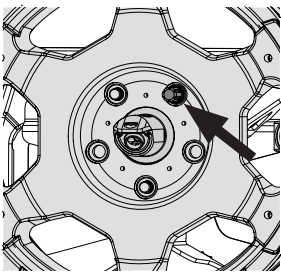
17

POSITION DRIVER SIDE OF TAILGATE TO NEW MARKS AND TIGHTEN OUTER REINFORCEMENT BOLTS

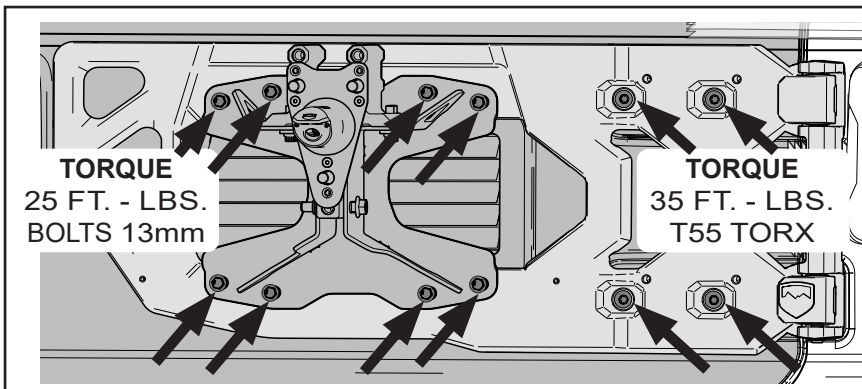


18

**TEST FIT DOOR TO ALIGNMENT MARKS AND TEST DOOR CLOSING
PLACE TIRE ON CARRIER WITH AT LEAST ONE LUG NUT AND TEST DOOR CLOSING**



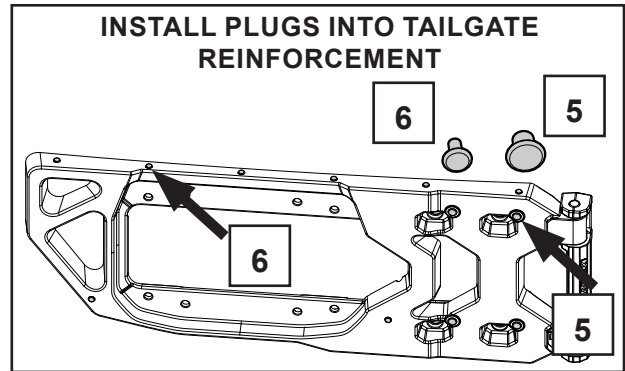
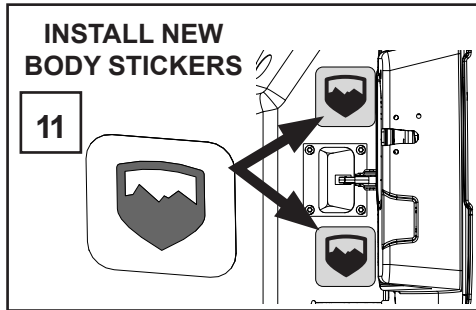
CONTINUE STEPS 14 TO 19 UNTIL MARKS ARE ALIGNED AND DOOR CLOSING SMOOTHLY



TORQUE OUTER TAILGATE REINFORCEMENT BOLTS ONCE TAILGATE CLOSING SMOOTHLY

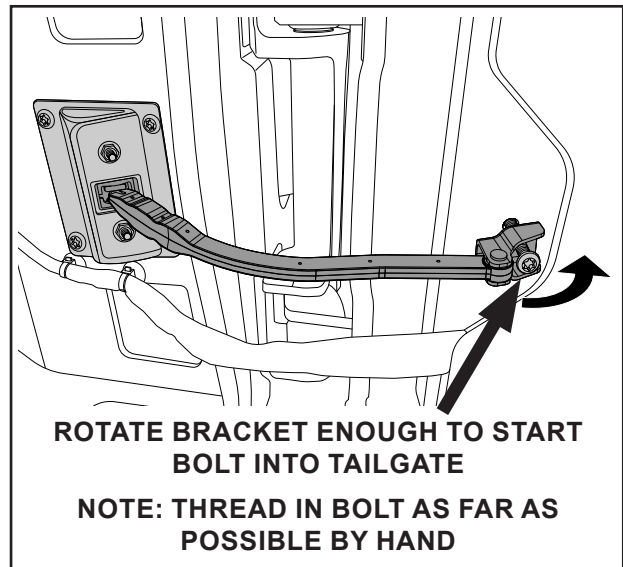
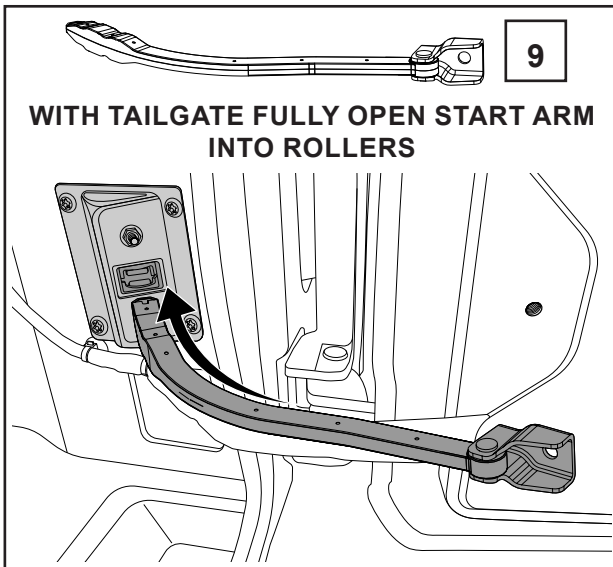
19

INSTALL NEW STICKERS AND RUBBER PLUGS



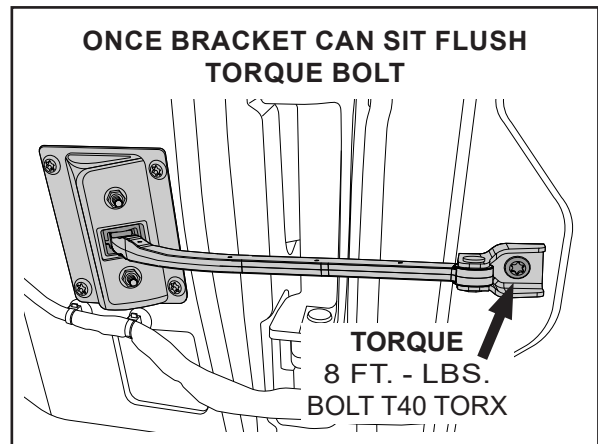
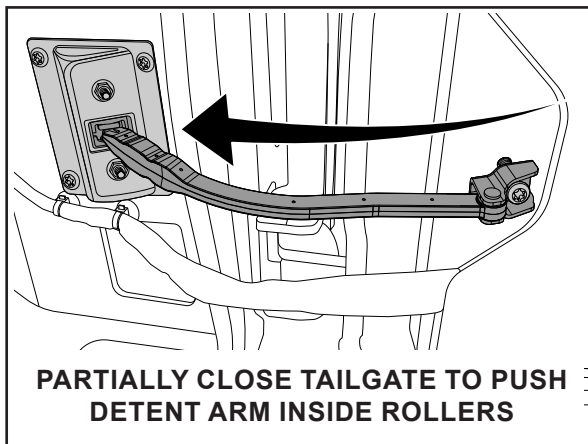
20

OPEN TAILGATE FULLY AND INSTALL NEW DETENT



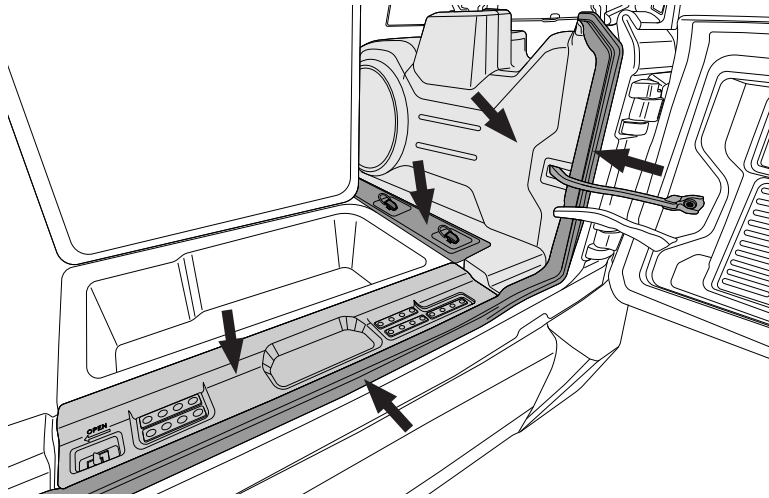
21

USE TAILGATE TO START DETENT ARM INTO ROLLERS



22

REINSTALL INTERIOR SIDE PANEL, FLOOR PANELS AND DOOR SEAL



23

TERAFLEX

PRODUCT INFORMATION

MAINTENANCE INFORMATION:

It is the buyer's responsibility to have all suspension, drivetrain, steering, and other components checked for proper tightness and torque after the first 100 miles and every 3000 miles after that.

NOTICE TO INSTALLER:

The enclosed "Warning to Driver" sticker must be installed in the vehicle in driver's view. This sticker is to act as a constant safety reminder when operating the vehicle. It is your responsibility as the equipment installer to install the provided sticker and to forward the product instructions to the vehicle's owner for review. If a "Warning to Driver" sticker or product installation guide were not included in the kit, FREE replacement stickers and instructions are available by request. It is the installer's duty to ensure a safe and controllable vehicle after the modifications have been performed.

WARNING:

Neither the seller nor the manufacturer will be liable for any loss, damage, or injury directly or indirectly arising from the use of or inability to determine the use of these products. Before using, the user shall determine the suitability of the products for its intended use, and the user shall assume all responsibility and risk in connection therewith.

WARNING TO DRIVER:

This vehicle has been modified to enhance off road performance and has unique handling characteristics. Use in harsh environments can cause extreme stress on the components. Vehicle should be inspected after being off road to make sure that all the components are in working order and safe to travel on the highway. All fasteners should be checked so that they are at the correct torque specifications as the vibration and stresses from off roading may cause critical fasteners to work loose. Extra care should be taken to inspect the critical components, steering, and brake systems. During each oil change components such as arms, tie rod ends, etc should be greased and checked for excessive wear. Any worn components should be replaced. When returning to the pavement always set or restore tire air pressure to the factory recommendation and connect or engage any disabled sway bar mechanisms. Because of the higher center of gravity and larger tires, this vehicle handles and reacts differently than many passenger cars, both on and off road. You must drive it safely! Extreme care should be taken to prevent vehicle rollover or loss of control, which can result in serious injury or death. Avoid sudden sharp turns or abrupt maneuvers. Generally, braking performance and capabilities are decreased when significantly larger/heavier tires are used, especially when used in combination with transfer case low-range reduction kits. Take this into consideration while driving. Do not add, alter or fabricate any factory or aftermarket parts to increase vehicle height over the intended height of the TeraFlex product purchased. Mixing component brand is not recommended. TeraFlex Inc. will not be responsible for any altered product or any improper installation or use of our products. We will be happy to answer any questions concerning the design, function, and correct use of our products. It is ultimately the buyer's responsibility to have all bolts/nuts checked for tightness after the first 100 miles and then every 3000 miles. Wheel alignment, steering system, suspension and drive line systems must be inspected by a qualified professional mechanic at least every 3000 miles.

TERAFLEX PRODUCT WARRANTY:

TeraFlex Inc. warrants TeraFlex Suspension products to the original retail purchaser to be free of defects in material and workmanship for as long as the original purchaser owns the vehicle on which products were originally installed.

Failure to complete regular maintenance (grease every 3000 miles) on TeraFlex FlexArms will void this warranty. All other conditions of the standard TeraFlex product warranty apply.

All TeraLow products are covered by the TeraFlex two (2) year warranty to be free of defects in material and workmanship for two years from date purchased.

TeraFlex axles are covered by a 12-month warranty to be free of defects in materials and workmanship.

This warranty does not cover or include product finish, improperly installed or applied products, improperly maintained products, products or components used for racing or competition or damage due to abuse or neglect, products that fail due to the use of larger tire and wheel combinations.

All returns must be accompanied by an original invoice. It is the customer's responsibility to remove the product from the vehicle. Shipping charges are the responsibility of the customer. TeraFlex Inc. will pay the return freight if the product meets the terms of warranty.

This warranty is for the replacement or repair of defective TeraFlex products only and does not include freight charges, labor charges for removal of or installation of TeraFlex or related products or components, costs incurred due to down time of the vehicle, or lost profits due to vehicle down time.

A returned goods authorization number (RGA#) must accompany any returned products. For more information please contact a TeraFlex customer service representative.

COPYRIGHT

©Copyright 2014. All rights reserved, TeraFlex Inc. Reproduction of this catalog and/or any of its contents without written permission is strictly prohibited.

TeraFlex® is a registered trademark of TeraFlex Inc. All trade names and logos including but not limited to TeraFlex, FlexArms, RockGuard, Monster, and LCG are protected by law and duplication of trade names and/or logos are strictly prohibited.

TeraFlex Inc. reserves the right to update, discontinue, redesign, modify finish, part number or component build parts if deemed necessary without written notice. TeraFlex Inc., and any associated dealers are not responsible for misprints or typographical errors that may have inadvertently been made within this instruction sheet.

Jeep® and the Jeep® grill are registered trademarks of Fiat Chrysler Automobiles N.V., and have no affiliation with TeraFlex Inc.

TERAFLEX, Inc.
5680 West Dannon Way
West Jordan, UT. 84081
Phone/801.713.3314
Fax/801.713.2313
www.teraflex.com