

INSTALLATION INSTRUCTIONS



TOYOTA 4.0L V6 GEAR-DRIVEN TRANSFER CASE ADAPTER PLATE

302470-1-KIT (FOR TOYOTA VEHICLES USING THE TOYOTA A750F AUTOMATIC TRANSMISSION)

KIT CONTENTS



INSTALLATION INSTRUCTIONS (CONT'D.)



RECOMMENDED TOOLS

Flashlight, Adjustable Wrench, Screwdrivers, Ratchet & Socket Set, Rubber Mallet
Seal Remover, Jack Stand, Drill & Drill Bit Set

ADDITIONAL ITEMS NEEDED

Replacement Crossmember (If Installing Dual Cases)
Trail-Gear Verso Adapter Plate (If you are using a front axle with Left-Hand Drop)
Single or Dual Toyota RF1A Gear Driven Transfer Case
Second Transfer Case Mount (If Installing Dual Cases)
Driveline Carrier Bearing Relocation Bracket & Hardware (TG P/N 302512-1-KIT)
Toyota 11mm Driveline Bolts & Nuts (If using stock Tacoma Driveline)
On 2005-2014 Tacoma Vehicles, you will need the Tacoma T-Case Shifter Kit (TG P/N 303073-1-KIT). On other vehicles, you may need to fabricate your own shifter.

CAUTION

1. Read all instructions completely and carefully before you begin. If anything is not clear, please call our tech support line at 1.877.4X4.TOYS or 559.252.4950 before proceeding.
2. Check to make sure the kit is complete and that no parts are missing (refer to the Kit Contents Section on the first page of these instructions). If anything is missing, please contact Trail-Gear at 1.877.4X4.TOYS or 559.252.4950.
3. Park vehicle on a clean, dry, flat, level surface and block the tires so the vehicle cannot roll in either direction.
4. This kit is for off-road use only. It is recommended that the installation steps below be performed by a competent mechanic. Buyers and users of this product hereby expressly assume all risks associated with the installation and use of this kit.
5. Note: After installing the RF1A gear drive transfer case, the 4WD lights on your instrument panel will no longer work correctly. Also, you will now need to come to a complete stop before shifting into 4WD.

INSTALLATION INSTRUCTIONS (CONT'D.)



STEP 1

Apply RTV silicone to the mounting surface of your fully-built gear-drive transfer case.



STEP 2

Install the 4.0L adapter plate onto the gear-drive transfer case using the (4) M10-1.25 hex bolts, (4) M10 washers, (1) M10-1.25 Flat Head Screw, and the (1) M10-1.25 Socket Head Cap Screw provided.



STEP 3

Disconnect the front & rear drivelines from your stock transfer case.

STEP 4

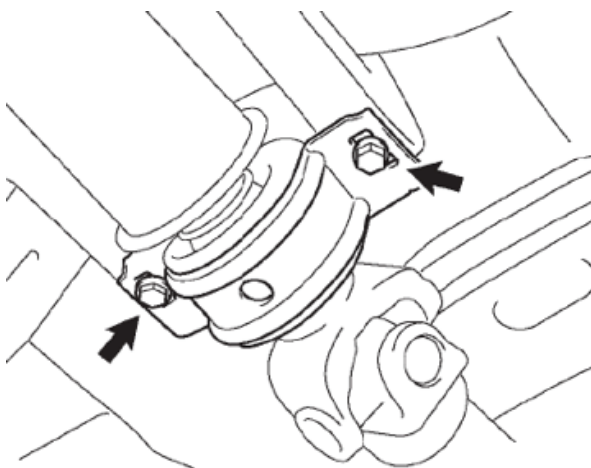
Unplug all electrical connectors from the transfer case.

STEP 5

Loosen and remove the (2) bolts holding the rear driveline carrier bearing onto the frame. Save the (2) bolts for reinstallation.

STEP 6

Support the stock transfer case using a transmission jack stand.



INSTALLATION INSTRUCTIONS (CONT'D.)



STEP 7

Remove the (4) bolts holding the transmission mount to the transmission. Remove the (4) bolts & nuts that secure the crossmember to the frame (there are (2) nuts & bolts on each side of the crossmember). Save the crossmember & all hardware for reinstallation.



STEP 8

Loosen and remove the (8) bolts holding the transfer case onto the transmission. Save the (8) bolts for reinstallation. Carefully remove the stock transfer case from the vehicle. You may need a second person to help with this.

STEP 9

Using a seal puller, remove the oil seal from the back of the transmission. Discard the old oil seal.



STEP 10

Install the splined coupler into the back of the transmission.



STEP 11

Align the relief in the lip of the oil seal housing with the oil galley in the back of the transmission housing. Install the seal housing into the back of the transmission housing using a rubber mallet.



INSTALLATION INSTRUCTIONS (CONT'D.)



STEP 12

Disconnect the vacuum line from the transmission.



STEP 13

Install the vacuum cap supplied in the kit onto the transmission vacuum line nipple.



STEP 14

Modify the floor board and shifter console of your vehicle to accommodate the Transfer case shifter(s). Follow the instructions that were provided with the transfer case shifter(s). (Transfer case shifter(s) sold separately)

STEP 15

Using an 11/32" drill bit, and looking at the back of the transmission housing, drill out the lower (2) holes and upper right hand hole on the transmission housing.



STEP 16

Place the gear-driven transfer case onto a jack stand and install the transfer case onto the transmission. Reuse the stock hardware except for the (3) indicated locations. In the lower left hand side (driver's side), reuse one of the stock bolts, except that the bolt head will now face the front of the vehicle. In the upper & lower right hand side (passenger side), use the (2) M8 Socket Head screws & washers provided with the kit.

INSTALLATION INSTRUCTIONS (CONT'D.)



STEP 17

Install the Carrier Bearing Relocation Kit in accordance with the installation instructions provided with the Carrier Bearing Relocation Kit. (Carrier Bearing Relocation Kit sold separately)

STEP 18

Reinstall the transmission mount and crossmember removed in Step 7.

STEP 19

Connect the front & rear drivelines to the transfer case. Note: You may need to order new and/or additional hardware depending on the combination of output flanges and drivelines you are using. If needed, the following driveline bolts and nuts are available from Trail-Gear:

Toyota 10mm Driveline Bolt, P/N 140356-1-KIT

Toyota 10mm Driveline Nut, P/N 140357-1-KIT

Toyota 11mm Driveline Bolt, P/N 302450-1

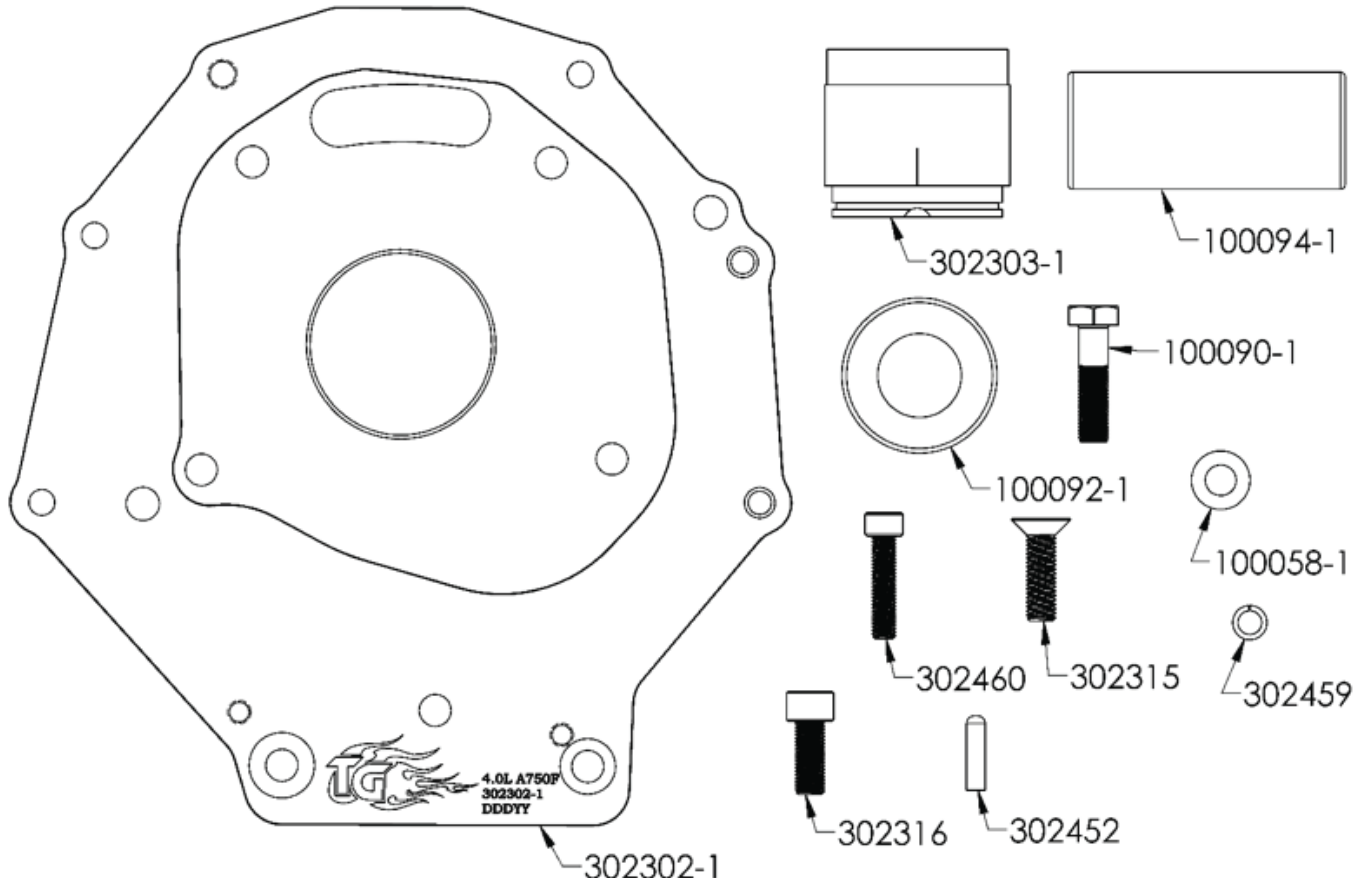
Toyota 11mm Driveline Nut, P/N 302451-1

STEP 20

Take the vehicle for a short test drive. Check all hardware and retighten as necessary.

Note: The 4WD lights on your instrument panel will no longer work properly. Also, you will need to come to a complete stop when shifting into 4WD.

REPLACEMENT PARTS



3.5 OZ TUBE OF ULTRA-GREY RTV SILICONE (NOT SHOWN) - 181004