

# INSTALLATION INSTRUCTIONS



## TACOMA DRIVELINE SPACER KIT

300733-1-KIT (2005-2013 TACOMA)

### KIT CONTENTS





## RECOMMENDED TOOLS

Ratchet & Socket Set

Torque Wrench

Jack Stands

Floor Jack

## CAUTION

1. Read all instructions completely and carefully before you begin. If anything is not clear, please call our tech support line at 1.877.4X4.TOYS or 559.252.4950 before proceeding.
2. Check to make sure the kit is complete and that no parts are missing (refer to the Kit Contents Section on the first page of these instructions). If anything is missing, please contact Trail-Gear at 1.877.4X4.TOYS or 559.252.4950.
3. Park vehicle on a clean, dry, flat, level surface and block the tires so the vehicle cannot roll in either direction.
4. This kit is for off-road use only. It is recommended that the installation steps below be performed by a competent mechanic. Buyers and users of this product hereby expressly assume all risks associated with the installation and use of this kit.

# INSTALLATION INSTRUCTIONS



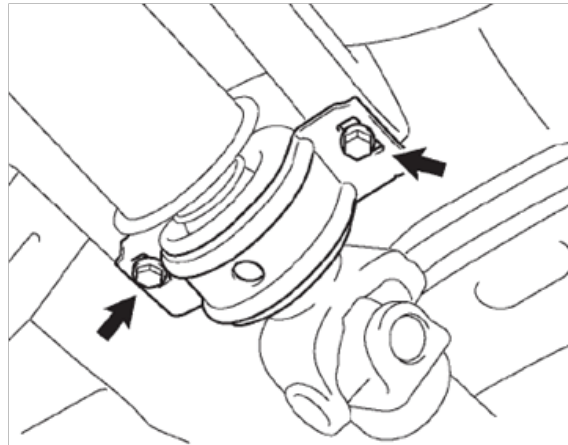
## TACOMA DRIVELINE SPACER KIT

### STEP 1

Place the vehicle securely on jack stands.

### STEP 2

Loosen, but do not remove, the (2) M10 bolts holding the Center Drive Shaft Bearing to the frame crossmember.



### STEP 3

Remove the stock M10 bolt from one side and discard. Place one spacer between the Center Drive Shaft Bearing flange and the frame crossmember. Install one of the new M10 bolts along with one lock washer and one flat washer. The lock washer should be installed between the bolt head and the flat washer.

### STEP 4

Repeat Step 3 for the opposite side of the Center Drive Shaft Bearing.

### STEP 5

Torque both M10 bolts to 27 ft-lbs or to the torque value specified in the Toyota Tacoma Factory Service Manual.

### STEP 6

Remove the jack stands from the vehicle. Take the vehicle for a short test drive. After the test drive, check the torque on all the hardware and tighten as necessary.

## SERVICE PARTS

